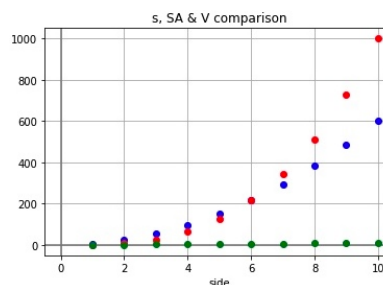
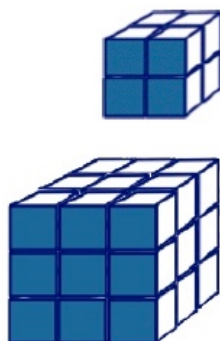
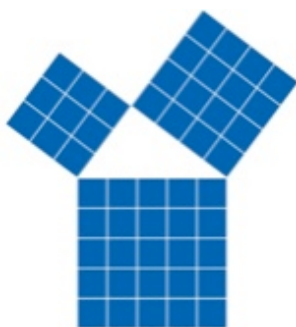
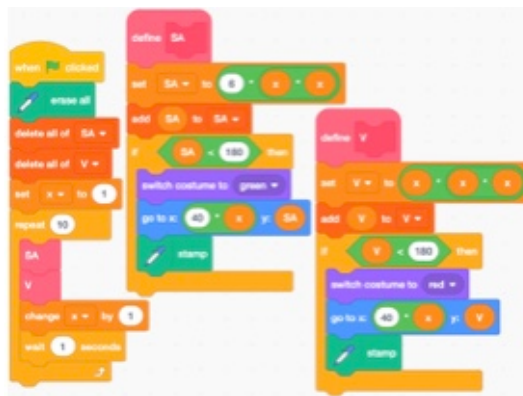
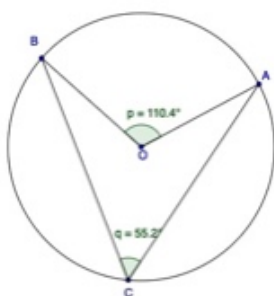
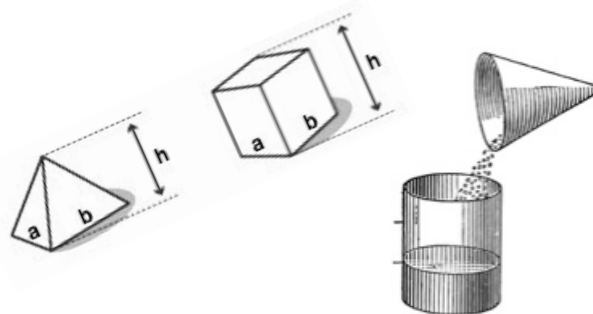


GEOMETRY & MEASUREMENT

Grades 6-10



Low floor, high ceiling
Conceptual focus
Historical contexts
Tell a math story
+ Coding extensions



George Gadanidis, 2022

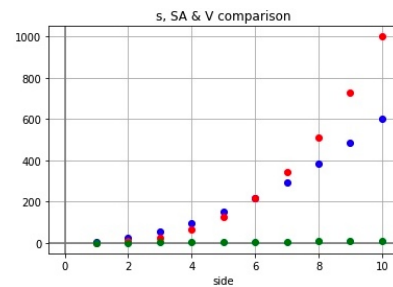
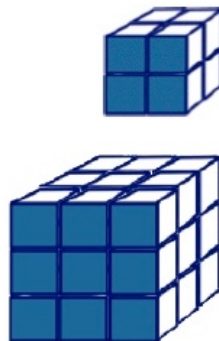
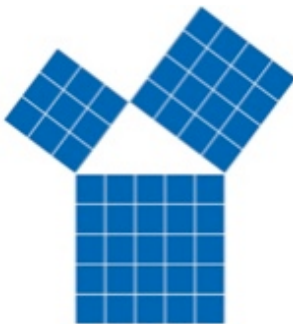
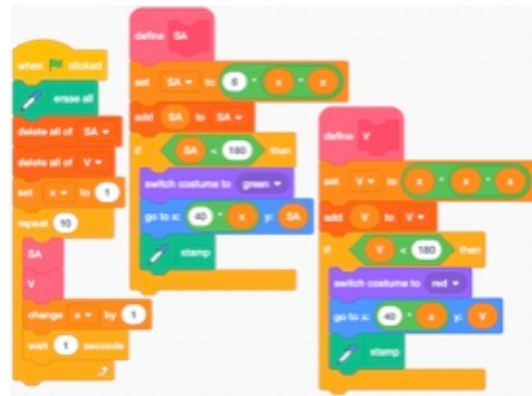
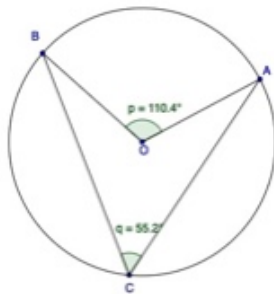
CONTENTS

GEOMETRY & MEASUREMENT

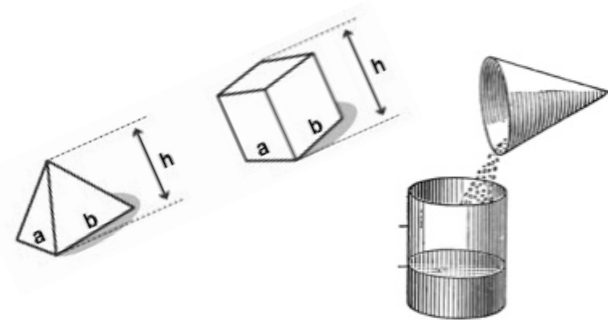
4	1. TELL A STORY
4	1.1 Research and tell a story
5	1.2 What is a square?
7	1.3 How many sides to a piece of paper?
9	1.4 Do points, lines and shapes exist?
11	1.5 The most appealing shape?
13	1.6 What is symmetry?
15	2. CIRCLES & TRIANGLES
15	2.1 Triangle interview
19	2.2 Circle interview
21	2.3 Circle designs
24	2.4 Lines, circles & triangles on a sphere
26	3. GEOMETRIC SOLIDS
26	3.1 Platonic solids
30	3.2 Spheres & cylinders
33	3.3 What is a cylinder?
36	3.4 Prisms & pyramids, cylinders & cones
38	4. MEASUREMENT
38	4.1 Mathematical foundations
40	4.2 Volumetrics
42	4.3 Zipping through space
45	4.4 Changing lanes
48	5. CHANGE RELATIONSHIPS
48	5.1 Building a pen for a dog
52	5.2 Why elephants have big ears

GEOMETRY & MEASUREMENT

Grades 6-10



Low floor, high ceiling
Conceptual focus
Historical contexts
Tell a math story
+ Coding extensions



George Gadanidis, 2022

CONTENTS

4 WHAT DID YOU DO IN MATH TODAY?

- 4 Talking about mathematics
- 4 Mathematics + story
- 5 Mathematics worth talking about
- 5 Content vs context
- 6 Low floor & high ceiling
- 7 Mathematics + coding
- 9 The goal of this book
- 9 Teaching with this book

GEOMETRY & MEASUREMENT

54 1. Tell a story

- 54 Trajectories, surprises & insights
- 54 Success criteria
- 54 Act 1. Research questions & stories
- 54 Solutions

56 2. Circles & triangles

- 56 Trajectories, surprises & insights
- 56 Success criteria
- 56 Act 1. Circle designs
- 56 Act 2. Angle patterns
- 57 Act 3. Side length relationships of right triangles
- 57 Solutions

58 3. Geometric solids

- 58 Trajectories, surprises & insights
- 58 Success criteria
- 58 Act 1. Relationships among geometric solids
- 58 Solutions

60 4. Geometric solids

- 60 Trajectories, surprises & insights
- 60 Success criteria
- 60 Act 1. Measurement problems
- 60 Solutions

62 5. Change relationships

- 62 Trajectories, surprises & insights
- 62 Success criteria
- 62 Act 1. Change relationships
- 62 Solutions